

# LL8E100, LL8E200, LL8E300 Limit Switch 行程开关



## 特性Specialty

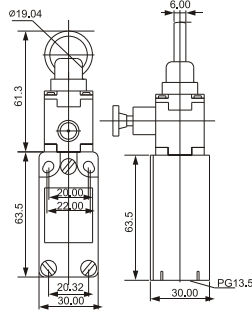
LL8E100、LL8E300系列行程开关是引进意大利技术开发的产品，外壳采用特种合金金属压铸制成，具有耐高温、耐低温的作用。该产品适用于交流40~60Hz；电压AC380V；DC220V；电流6A的控制电路中，作为机床、机械的自动控制、限制运动、传动机构动作或程序控制之用。

正常工作在-25~+70℃的环境温度中；95%的环境湿度中；海拔在2000m；防护等级IP66；机械30×106次；电寿命 $I_e=1A/AC$ ，符合IEC337-1，GB14048.5-2001标准。

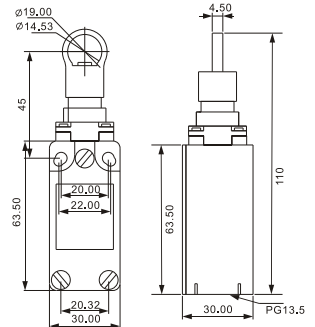
LL8E100, LL8E300 series products is introduce into Italy technic ,the cover made of special alloying metal, it with heat-resistant and low temperature, It is to service at such control circuit as AC40~ 60Hz, voltage of 380VAC or 220VDC and current of 6A to automatically control Mechanical tool, limit movement and action of drive mechanism and control program.

The nominal service conditions include an ambient temperature of -25~+70℃, an ambient relative humidity of 95%, an altitude of 2000m and protection degree of IP66.the mechanical life is of 30x106 times and the electrical life  $I_e$  is of 1A/AC. It complies with the standard of IEC337-1 and GB14048.5-2001.

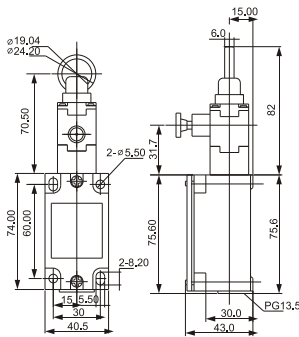
LL8E100-00-MM1



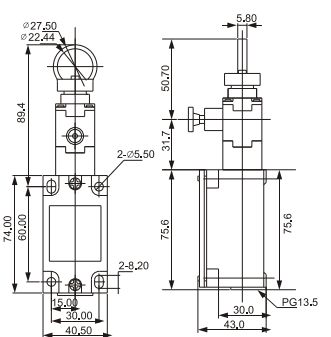
LL8E100-00-MM2



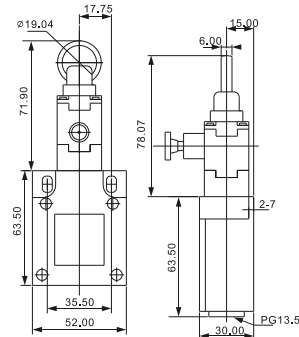
LL8E200-00-MM1



LL8E200-00-MM2



LL8E300-00-MM1



LL8E300-00-MM2

